

MAYTAG®

TECHNICAL SPECIFICATIONS

Model MGC2S (A and K) Series



M120 Product Line

**High Efficiency Upflow/Horizontal and Downflow
Gas Furnaces 80+ AFUE Input 45,000-126,000 Btuh**

This furnace series is approved and certified by the SCAQM and the SJVAPC Districts in the state of California under each Districts' Mitigation Fee Plan for shipment into and sales in both districts.

For California installations in SCAQMD only: This furnace does not meet the SCAQMD Rule 1111 NOx emission limit (14 ng/l), and thus is subject to a mitigation fee of up to \$450. This furnace is not eligible for the Clean Air Furnace Rebate Program: www.CleanAirFurnaceRebate.com.

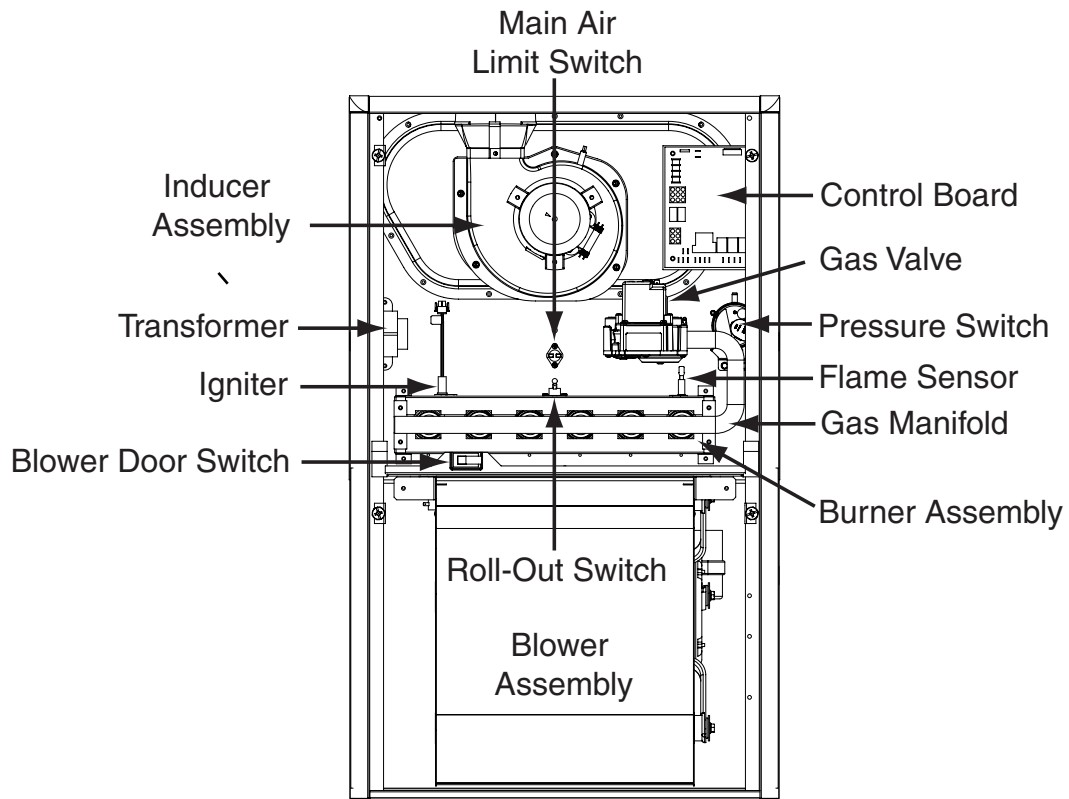
The high efficiency gas furnace may be installed free standing in a utility room, basement, or enclosed in an alcove or closet. The rounded corner jacket provides a pleasing “appliance appearance.” Design certified by CSA for Canada and the United States.

Features and Benefits

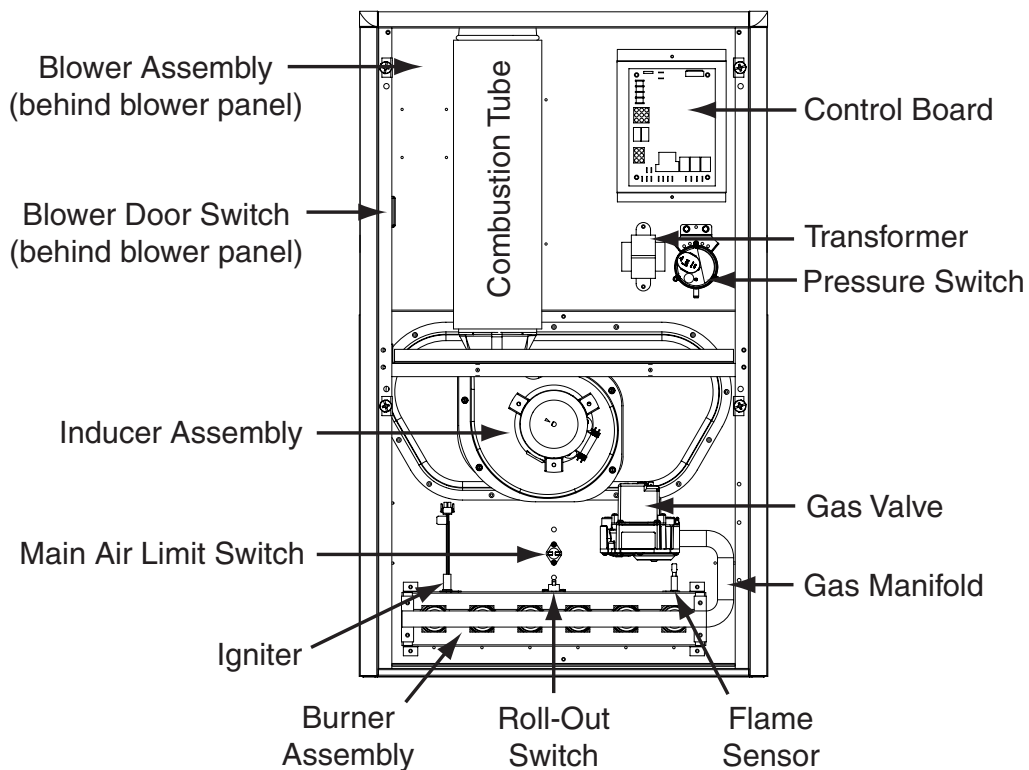
- **100% fired and tested:** All units and each component are tested on the manufacturing line.
- **Best packaging in the industry:** Unique corner post design assures product will arrive to the homeowner dent free.
- **Low Boy Height:** Easy to apply in low ceiling applications, works well with taller high SEER coils, easier to handle and install.
- **Tubular primary heat exchanger** — Heavy gauge aluminized steel heat exchanger assures a long life.
- **30 second blower delay at start-up:** Assures a warm duct temperature at furnace start-up. Adjustable blower off settings (60, 90, 120 and 180 seconds).
- **30 second post purge:** Increases life of heat exchanger.
- **Hot surface igniter:** Innovative application of an appliance type igniter with a 20 year history of reliability. Utilizes proven SmartStart® technology.
- **Color coded wire harness:** Designed to fit the components, all with quick-connect fittings for ease of service and replacement.
- **High static blowers:** All models equipped with high static blowers.
- **60 second cooling cycle blower-off delay (TDR) :** increases cooling performance when matched with a Nortek Global HVAC coil.
- **Flexible category I venting system:** May be vented with dedicated venting system or common vented with other category one appliances.
- **High efficiency blower kits:** Maximize efficiencies. On select units, a SEER improvement of up to 1 point is realized.
- **Energy-efficient, brushless DC (ECM), Multi-speed direct drive blower:** Designed to give a wide range of cooling capacities. Switches on PCB, provide ultra easy motor speed selection.
- **LP convertible:** Simple burner orifice and regulator spring change for ease of convertibility.
- **Diagnostic lights for easy troubleshooting without counting flashes:** Dedicated light for flame signal strength and 2 lights in combination to indicate all other fault codes with easy to recognize states without counting flashes.
- **Integrated control board:** Incorporates connections for electronic air cleaner and humidifier. Ergonomically located for ease of service.
- **Two piece door design:** Enhances furnace appearance and uses captured screws to prevent losing door screws.
- **Blower Compartment:** Insulated for ultra quiet operation.
- **Furnace Air Leakage:** These furnaces comply with Energy Star cabinet air leakage requirement of less than or equal to 2%. Keep the conditioned air flowing to where it’s needed.

GAS FURNACE COMPONENTS

UPFLOW / HORIZONTAL FURNACE (*SA SERIES)

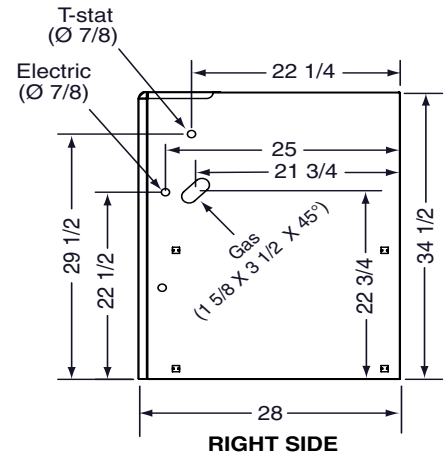
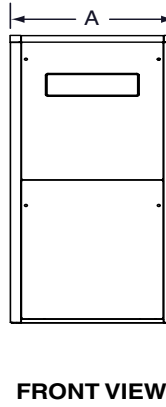
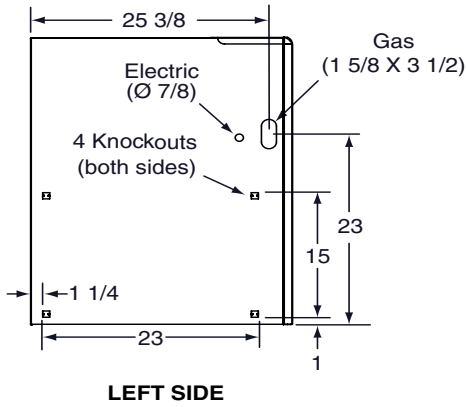
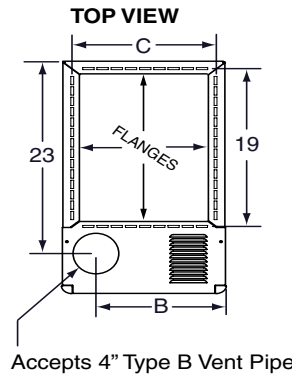


DOWNFLOW FURNACE (*SK SERIES)



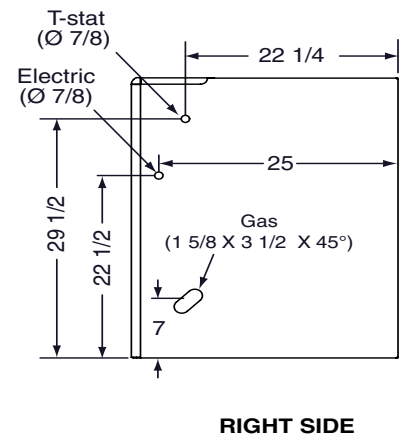
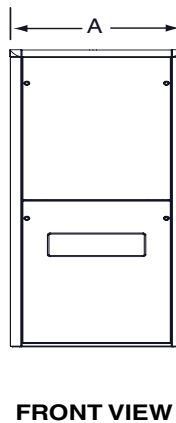
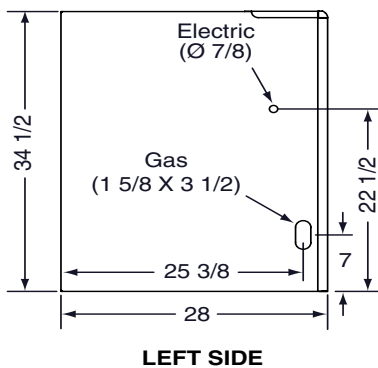
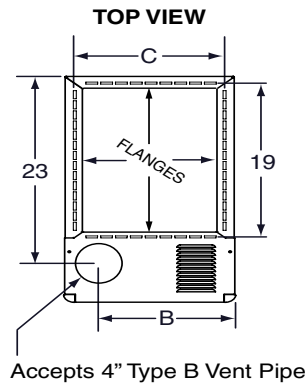
DIMENSIONS

*SA Model #s	Dimension "A"	Dimension "B"	Dimension "C"	Dimension "D"
045-23A	14 1/4	10 3/4	12 5/8	12 7/8
054-23A				
072-24B	17 1/2	11 3/4	15 7/8	16 1/8
090-24B				
072-35C	21	14	19 3/8	19 7/8
090-35C				
108-35C				
126-45D	24 1/2	15 1/4	22 7/8	23 1/8



MGC2SA 80+ High Efficiency Upflow/Horizontal Series

*SK Model #s	Dimension "A"	Dimension "B"	Dimension "C"	Dimension "D"
054-23A	14 1/4	10 3/4	12 5/8	12 7/8
072-24B	17 1/2	11 3/4	15 7/8	16 1/8
090-24B				
108-35C	21	14	19 3/8	19 5/8
126-45D	24 1/2	15 1/4	22 7/8	23 1/8



MGC2SK 80+ High Efficiency Downflow Series

BLOWER PERFORMANCE MGC2SA

MGCS2A-045C-T23A1 (WITH 5-SPEED ECM MOTOR)

HEATING AIRFLOW (CFM) & TEMPERATURE RISE (°F)													
MODEL NAME/ HEATING INPUT	RETURN AIR VIA:	MOTOR SPEED	External Static Pressure (in. w.c.)										
			0.1		0.2		0.3		0.4		0.5		
			CFM	RISE	CFM	RISE	CFM	RISE	CFM	RISE	CFM	RISE	
MGCS2A-045C- T23A1 45,000 BTU/Hr	Bottom	5 - High*											
		4 - Alternate											
		3 - Medium High**	985	34	945	35	905	37	865	39	815	41	
		2 - Med-Low	845	39	800	42	760	44	720	46	670	50	
		1 - Low***	790	42	735	45	695	48	645	52	605	55	
	Side	5 - High*											
		4 - Alternate											
		3 - Medium High**	980	34	945	35	895	37	865	39	830	40	
		2 - Med-Low	845	39	800	42	765	44	720	46	670	50	
		1 - Low***	790	42	740	45	705	47	650	51	610	55	
	Side + Bottom or 2 sides	5 - High*											
		4 - Alternate											
		3 - Medium High**	975	34	940	35	905	37	865	39	825	40	
		2 - Med-Low	850	39	815	41	770	43	730	46	680	49	
		1 - Low***	790	42	755	44	705	47	680	49	625	53	

COOLING AIRFLOW (CFM)										
MODEL NAME/ HEATING INPUT	RETURN AIR VIA:	MOTOR SPEED	External Static Pressure (in. w.c.)							
			0.1	0.2	0.3	0.4	0.5	0.6	0.7	0.8
			CFM	CFM	CFM	CFM	CFM	CFM	CFM	CFM
MGCS2A-045C- T23A1 45,000 BTU/Hr	Bottom	5 - High*	1,340	1,310	1,270	1,240	1,205	1,175	1,140	1,100
		4 - Alternate	1,150	1,115	1,075	1,040	1,010	950	925	890
		3 - Medium High**	985	945	905	865	815	780	735	685
		2 - Med-Low	845	800	760	720	670	625	580	
		1 - Low***	790	735	695	645	605	555		
	Side	5 - High*	1,340	1,310	1,270	1,240	1,205	1,175	1,140	1,100
		4 - Alternate	1,150	1,115	1,075	1,040	1,010	950	925	890
		3 - Medium High**	980	945	895	865	830	785	740	700
		2 - Med-Low	845	800	765	720	670	635	585	
		1 - Low***	790	740	705	650	610	570		
	Side + Bottom or 2 sides	5 - High*	1,340	1,310	1,270	1,240	1,205	1,175	1,140	1,100
		4 - Alternate	1,150	1,115	1,075	1,040	1,010	950	925	890
		3 - Medium High**	975	940	905	865	825	780	740	685
		2 - Med-Low	850	815	770	730	680	645	600	
		1 - Low***	790	755	705	680	625	575		

***NOTES:**

1. To comply with government mandated efficiency standards, two openings are required for airflows above 1,600 CFM.
2. Data is shown without filter.
3. Temperature rises in the table are approximate. Actual temperature rises may vary.
4. Individual cells shaded in gray indicate a temperature rise outside of the recommended range.
5. To comply with government mandated efficiency standards, speed settings shaded in gray are not allowed in HEAT mode.
6. Unit ships with (4) speeds pre-wired. Use of the fifth speed will require changing the appropriate wires at the motor connection. Consult the wiring diagram for more information.

* Factory Set Cool

** Factory Set Heat

*** Factory Set Circulation

BLOWER PERFORMANCE MGC2SA Continued

MGC2SA-054C-T23A1 (WITH 5-SPEED ECM MOTOR)

HEATING AIRFLOW (CFM) & TEMPERATURE RISE (°F)													
MODEL NAME/ HEATING INPUT	RETURN AIR VIA:	MOTOR SPEED	External Static Pressure (in. w.c.)										
			0.1		0.2		0.3		0.4		0.5		
			CFM	RISE	CFM	RISE	CFM	RISE	CFM	RISE	CFM	RISE	
MGC2SA-054C- T23A1 52,000 BTU/Hr	Bottom	5 - High*											
		4 - Alternate											
		3 - Medium High**	985	39	945	41	905	43	865	45	815	47	
		2 - Med-Low	845	46	800	48	760	51	720	53	670	57	
		1 - Low***	790	49	735	52	695	55					
	Side	5 - High*											
		4 - Alternate											
		3 - Medium High**	980	39	945	41	895	43	865	45	830	46	
		2 - Med-Low	845	46	800	48	765	50	720	53	670	57	
		1 - Low***	790	49	740	52	705	55					
	Side + Bottom or 2 sides	5 - High*											
		4 - Alternate											
		3 - Medium High**	975	40	940	41	905	43	865	45	825	47	
		2 - Med-Low	850	45	815	47	770	50	730	53	680	57	
		1 - Low***	790	49	755	51	705	55					

COOLING AIRFLOW (CFM)										
MODEL NAME/ HEATING INPUT	RETURN AIR VIA:	MOTOR SPEED	External Static Pressure (in. w.c.)							
			0.1	0.2	0.3	0.4	0.5	0.6	0.7	0.8
			CFM	CFM	CFM	CFM	CFM	CFM	CFM	CFM
MGC2SA-054C- T23A1 52,000 BTU/Hr	Bottom	5 - High*	1,340	1,310	1,270	1,240	1,205	1,175	1,140	1,100
		4 - Alternate	1,150	1,115	1,075	1,040	1,010	950	925	890
		3 - Medium High**	985	945	905	865	815	780	735	685
		2 - Med-Low	845	800	760	720	670	625	580	
		1 - Low***	790	735	695	645	605	555		
	Side	5 - High*	1,340	1,310	1,270	1,240	1,205	1,175	1,140	1,100
		4 - Alternate	1,150	1,115	1,075	1,040	1,010	950	925	890
		3 - Medium High**	980	945	895	865	830	785	740	700
		2 - Med-Low	845	800	765	720	670	635	585	
		1 - Low***	790	740	705	650	610	570		
	Side + Bottom or 2 sides	5 - High*	1,340	1,310	1,270	1,240	1,205	1,175	1,140	1,100
		4 - Alternate	1,150	1,115	1,075	1,040	1,010	950	925	890
		3 - Medium High**	975	940	905	865	825	780	740	685
		2 - Med-Low	850	815	770	730	680	645	600	
		1 - Low***	790	755	705	680	625	575		

***NOTES:**

1. To comply with government mandated efficiency standards, two openings are required for airflows above 1,600 CFM.
2. Data is shown without filter.
3. Temperature rises in the table are approximate. Actual temperature rises may vary.
4. Individual cells shaded in gray indicate a temperature rise outside of the recommended range.
5. To comply with government mandated efficiency standards, speed settings shaded in gray are not allowed in HEAT mode.
6. Unit ships with (4) speeds pre-wired. Use of the fifth speed will require changing the appropriate wires at the motor connection. Consult the wiring diagram for more information.

* Factory Set Cool

** Factory Set Heat

*** Factory Set Circulation

BLOWER PERFORMANCE MGC2SA Continued

MGC2SA-072C-T24B1 (WITH 5-SPEED ECM MOTOR)

HEATING AIRFLOW (CFM) & TEMPERATURE RISE (°F)												
MODEL NAME/ HEATING INPUT	RETURN AIR VIA:	MOTOR SPEED	External Static Pressure (in. w.c.)									
			0.1		0.2		0.3		0.4		0.5	
			CFM	RISE	CFM	RISE	CFM	RISE	CFM	RISE	CFM	RISE
MGC2SA-072C- T24B1 70,000 BTU/Hr	Bottom or Side	5 - High*										
		4 - Medium High**	1,585	33	1,540	34	1,505	34	1,465	35	1,085	48
		3 - Med-Low	1,265	41	1,210	43	1,165	45	1,125	46	1,085	48
		2 - Alternate	1,070	48	1,030	50	990	52	955	54	915	57
		1 - Low***										
	2 Openings	5 - High*										
		4 - Medium High**	1,585	33	1,540	34	1,505	34	1,465	35	1,085	48
		3 - Med-Low	1,260	41	1,200	43	1,160	45	1,125	46	1,085	48
		2 - Alternate	1,110	47	1,070	48	1,030	50	980	53	935	55
		1 - Low***										

COOLING AIRFLOW (CFM)										
MODEL NAME/ HEATING INPUT	RETURN AIR VIA:	MOTOR SPEED	External Static Pressure (in. w.c.)							
			0.1	0.2	0.3	0.4	0.5	0.6	0.7	0.8
			CFM	CFM	CFM	CFM	CFM	CFM	CFM	CFM
MGC2SA-072C- T24B1 70,000 BTU/Hr	Bottom or Side	5 - High*	1,780	1,740	1,700	1,665	1,620	1,580	1,540	1,500
		4 - Medium High**	1,585	1,540	1,505	1,465	1,420	1,380	1,335	1,295
		3 - Med-Low	1,265	1,210	1,165	1,125	1,085	1,045	995	955
		2 - Alternate	1,070	1,030	990	955	915	865	830	785
		1 - Low***	970	925	865	820	765	715	665	625
	2 Openings	5 - High*	1,790	1,755	1,710	1,675	1,635	1,600	1,560	1,525
		4 - Medium High**	1,390	1,345	1,305	1,255	1,220	1,180	1,135	1,090
		3 - Med-Low	1,260	1,200	1,160	1,125	1,085	1,040	1,000	950
		2 - Alternate	1,110	1,070	1,030	980	935	880	835	790
		1 - Low***	970	925	875	830	770	725	680	630

***NOTES:**

1. To comply with government mandated efficiency standards, two openings are required for airflows above 1,600 CFM.
2. Data is shown without filter.
3. Temperature rises in the table are approximate. Actual temperature rises may vary.
4. Individual cells shaded in gray indicate a temperature rise outside of the recommended range.
5. To comply with government mandated efficiency standards, speed settings shaded in gray are not allowed in HEAT mode.
6. Unit ships with (4) speeds pre-wired. Use of the fifth speed will require changing the appropriate wires at the motor connection. Consult the wiring diagram for more information.

* Factory Set Cool

** Factory Set Heat

*** Factory Set Circulation

BLOWER PERFORMANCE MGC2SA Continued

MGC2SA-072C-T35C1 (WITH 5-SPEED ECM MOTOR)

HEATING AIRFLOW (CFM) & TEMPERATURE RISE (°F)												
MODEL NAME/ HEATING INPUT	RETURN AIR VIA:	MOTOR SPEED	External Static Pressure (in. w.c.)									
			0.1		0.2		0.3		0.4		0.5	
			CFM	RISE	CFM	RISE	CFM	RISE	CFM	RISE	CFM	RISE
MGC2SA-072C- T35C1 75,000 BTU/Hr	Bottom	5 - High										
		4 - Alternate										
		3 - Med-High										
		2 - Med-Low**	1,210	46	1,155	48	1,095	51	1,045	53	1,005	55
		1 - Low	930	60	875	63						
	Side	5 - High										
		4 - Alternate										
		3 - Med-High										
		2 - Med-Low**	1,210	46	1,155	48	1,095	51	1,045	53	1,005	55
		1 - Low	930	60	875	63						

COOLING AIRFLOW (CFM)										
MODEL NAME/ HEATING INPUT	RETURN AIR VIA:	MOTOR SPEED	External Static Pressure (in. w.c.)							
			0.1	0.2	0.3	0.4	0.5	0.6	0.7	0.8
			CFM	CFM	CFM	CFM	CFM	CFM	CFM	CFM
MGC2SA-072C- T35C1 75,000 BTU/Hr	Bottom	5 - High*	2,085	2,025	1,975	1,925	1,885	1,840	1,805	1,745
		4 - Alternate	1,580	1,525	1,470	1,425	1,385	1,335	1,290	1,235
		3 - Med-High	1,370	1,320	1,265	1,220	1,185	1,125	1,090	1,035
		2 - Med-Low**	1,210	1,155	1,095	1,045	1,005	975	905	850
		1 - Low	930	875	830	760	700	650	620	580
	Side	5 - High*	2,085	2,025	1,975	1,925	1,885	1,840	1,805	1,745
		4 - Alternate	1,580	1,525	1,470	1,425	1,385	1,335	1,290	1,235
		3 - Med-High	1,370	1,320	1,265	1,220	1,185	1,125	1,090	1,035
		2 - Med-Low**	1,210	1,155	1,095	1,045	1,005	975	905	850
		1 - Low	930	875	830	760	700	650	620	580

***NOTES:**

- To comply with government mandated efficiency standards, two openings are required for airflows above 1,600 CFM.
- Data is shown without filter.
- Temperature rises in the table are approximate. Actual temperature rises may vary.
- Individual cells shaded in gray indicate a temperature rise outside of the recommended range.
- To comply with government mandated efficiency standards, speed settings shaded in gray are not allowed in HEAT mode.
- Unit ships with (4) speeds pre-wired. Use of the fifth speed will require changing the appropriate wires at the motor connection. Consult the wiring diagram for more information.

* Factory Set Cool

** Factory Set Heat

*** Factory Set Circulation

BLOWER PERFORMANCE MGC2SA Continued

MGC2SA-090C-T24B1 (WITH 5-SPEED ECM MOTOR)

HEATING AIRFLOW (CFM) & TEMPERATURE RISE (°F)												
MODEL NAME/ HEATING INPUT	RETURN AIR VIA:	MOTOR SPEED	External Static Pressure (in. w.c.)									
			0.1		0.2		0.3		0.4		0.5	
			CFM	RISE	CFM	RISE	CFM	RISE	CFM	RISE	CFM	RISE
MGC2SA-090C- T24B1 90,000 BTU/Hr	Bottom or Side	5 - High*										
		4 - Alternate										
		3 - Medium High**	1,370	49	1,335	50	1,290	52	1,250	53	1,215	55
		2 - Med-Low	1,075	62	1,035	64	990	67	950	70	905	74
		1 - Low***										
	2 Openings	5 - High*										
		4 - Alternate										
		3 - Medium High**	1,370	49	1,335	50	1,290	52	1,250	53	1,215	55
		2 - Med-Low	1,075	62	1,035	64	990	67	950	70	905	74
		1 - Low***										

COOLING AIRFLOW (CFM)										
MODEL NAME/ HEATING INPUT	RETURN AIR VIA:	MOTOR SPEED	External Static Pressure (in. w.c.)							
			0.1	0.2	0.3	0.4	0.5	0.6	0.7	0.8
			CFM	CFM	CFM	CFM	CFM	CFM	CFM	CFM
MGC2SA-090C- T24B1 90,000 BTU/Hr	Bottom or Side	5 - High*	1,810	1,765	1,735	1,700	1,665	1,625	1,590	1,550
		4 - Alternate	1,560	1,515	1,475	1,440	1,395	1,370	1,315	1,275
		3 - Medium High**	1,370	1,335	1,290	1,250	1,215	1,175	1,130	1,085
		2 - Med-Low	1,075	1,035	990	950	905	865	820	735
		1 - Low***	765	720	675	625	585	520	465	420
	2 Openings	5 - High*	1,810	1,765	1,735	1,700	1,665	1,625	1,590	1,550
		4 - Alternate	1,560	1,515	1,475	1,440	1,395	1,370	1,315	1,275
		3 - Medium High**	1,370	1,335	1,290	1,250	1,215	1,175	1,130	1,085
		2 - Med-Low	1,075	1,035	990	950	905	865	820	735
		1 - Low***	765	720	675	625	585	520	465	420

- *NOTES:**
1. To comply with government mandated efficiency standards, two openings are required for airflows above 1,600 CFM.
 2. Data is shown without filter.
 3. Temperature rises in the table are approximate. Actual temperature rises may vary.
 4. Individual cells shaded in gray indicate a temperature rise outside of the recommended range.
 5. To comply with government mandated efficiency standards, speed settings shaded in gray are not allowed in HEAT mode.
 6. Unit ships with (4) speeds pre-wired. Use of the fifth speed will require changing the appropriate wires at the motor connection. Consult the wiring diagram for more information.

- * Factory Set Cool
- ** Factory Set Heat
- *** Factory Set Circulation

BLOWER PERFORMANCE MGC2SA Continued

MGC2SA-072C-T35C1 (WITH 5-SPEED ECM MOTOR)

HEATING AIRFLOW (CFM) & TEMPERATURE RISE (°F)												
MODEL NAME/ HEATING INPUT	RETURN AIR VIA:	MOTOR SPEED	External Static Pressure (in. w.c.)									
			0.1		0.2		0.3		0.4		0.5	
			CFM	RISE	CFM	RISE	CFM	RISE	CFM	RISE	CFM	RISE
MGC2SA-090C- T35C1 85,000 BTU/Hr	Bottom or Side	5 - High*										
		4 - Alternate										
		3 - Medium**	1,675	38	1,625	39	1,580	40	1,535	41	1,485	42
		2 - Med-Low	1,410	45	1,365	46	1,310	48	1,270	50	1,215	52
		1 - Low***	1,250	50	1,175	54	1,125	56	1,060	59	1,005	63
	2 Openings	5 - High*										
		4 - Alternate										
		3 - Medium**	1,680	37	1,635	39	1,595	39	1,550	41	1,495	42
		2 - Med-Low	1,410	45	1,350	47	1,300	48	1,250	50	1,195	53
		1 - Low***	1,240	51	1,180	53	1,115	56	1,065	59	1,005	63

COOLING AIRFLOW (CFM)										
MODEL NAME/ HEATING INPUT	RETURN AIR VIA:	MOTOR SPEED	External Static Pressure (in. w.c.)							
			0.1	0.2	0.3	0.4	0.5	0.6	0.7	0.8
			CFM	CFM	CFM	CFM	CFM	CFM	CFM	CFM
MGC2SA-090C- T35C1 85,000 BTU/Hr	Bottom or Side	5 - High*	2,250	2,200	2,155	2,105	2,060	2,095	2,050	2,010
		4 - Alternate	1,775	1,725	1,690	1,645	1,595	1,555	1,510	1,455
		3 - Medium**	1,675	1,625	1,580	1,535	1,485	1,445	1,400	1,360
		2 - Med-Low	1,410	1,365	1,310	1,270	1,215	1,165	1,120	1,075
		1 - Low***	1,250	1,175	1,125	1,060	1,005	955	900	845
	2 Openings	5 - High*	2,290	2,245	2,200	2,150	2,110	2,065	2,020	1,985
		4 - Alternate	1,785	1,735	1,690	1,645	1,610	1,560	1,510	1,460
		3 - Medium**	1,680	1,635	1,595	1,550	1,495	1,465	1,400	1,360
		2 - Med-Low	1,410	1,350	1,300	1,250	1,195	1,155	1,110	1,055
		1 - Low***	1,240	1,180	1,115	1,065	1,005	955	895	835

***NOTES:**

- To comply with government mandated efficiency standards, two openings are required for airflows above 1,600 CFM.
- Data is shown without filter.
- Temperature rises in the table are approximate. Actual temperature rises may vary.
- Individual cells shaded in gray indicate a temperature rise outside of the recommended range.
- To comply with government mandated efficiency standards, speed settings shaded in gray are not allowed in HEAT mode.
- Unit ships with (4) speeds pre-wired. Use of the fifth speed will require changing the appropriate wires at the motor connection. Consult the wiring diagram for more information.

* Factory Set Cool

** Factory Set Heat

*** Factory Set Circulation

BLOWER PERFORMANCE MGC2SA Continued

MGC2SA-108C-T35C1 (WITH 5-SPEED ECM MOTOR)

HEATING AIRFLOW (CFM) & TEMPERATURE RISE (°F)												
MODEL NAME/ HEATING INPUT	RETURN AIR VIA:	MOTOR SPEED	External Static Pressure (in. w.c.)									
			0.1		0.2		0.3		0.4		0.5	
			CFM	RISE	CFM	RISE	CFM	RISE	CFM	RISE	CFM	RISE
MGC2SA-108C- T35C1 108,000 BTU/Hr	Bottom or Side	5 - High*										
		4 - Medium High**	1,785	45	1,730	46	1,680	48	1,620	49	1,580	51
		3 - Med-Low	1,610	50	1,550	52	1,495	54	1,455	55	1,405	57
		2 - Alternate	1,415	57	1,345	59	1,300	62	1,235	65	1,195	67
		1 - Low***										
	2 Openings	5 - High*										
		4 - Medium High**	1,795	45	1,755	46	1,700	47	1,645	49	1,590	50
		3 - Med-Low	1,620	49	1,560	51	1,505	53	1,450	55	1,405	57
		2 - Alternate	1,435	56	1,370	58	1,315	61	1,245	64	1,215	66
		1 - Low***										

COOLING AIRFLOW (CFM)										
MODEL NAME/ HEATING INPUT	RETURN AIR VIA:	MOTOR SPEED	External Static Pressure (in. w.c.)							
			0.1	0.2	0.3	0.4	0.5	0.6	0.7	0.8
			CFM	CFM	CFM	CFM	CFM	CFM	CFM	CFM
MGC2SA-108C- T35C1 108,000 BTU/Hr	Bottom or Side	5 - High*	2,195	2,150	2,100	2,055	2,010	1,980	1,925	1,880
		4 - Medium High**	1,785	1,730	1,680	1,620	1,580	1,540	1,495	1,440
		3 - Med-Low	1,610	1,550	1,495	1,455	1,405	1,355	1,300	1,260
		2 - Alternate	1,415	1,345	1,300	1,235	1,195	1,135	1,090	1,035
		1 - Low***	1,030	965	890	810	725	645	620	540
	2 Openings	5 - High*	2,230	2,185	2,140	2,095	2,050	2,010	1,960	1,915
		4 - Medium High**	1,795	1,755	1,700	1,645	1,590	1,550	1,510	1,465
		3 - Med-Low	1,620	1,560	1,505	1,450	1,405	1,360	1,315	1,270
		2 - Alternate	1,435	1,370	1,315	1,245	1,215	1,160	1,105	1,045
		1 - Low***	1,080	985	905	835	755	675	600	565

***NOTES:**

1. To comply with government mandated efficiency standards, two openings are required for airflows above 1,600 CFM.
2. Data is shown without filter.
3. Temperature rises in the table are approximate. Actual temperature rises may vary.
4. Individual cells shaded in gray indicate a temperature rise outside of the recommended range.
5. To comply with government mandated efficiency standards, speed settings shaded in gray are not allowed in HEAT mode.
6. Unit ships with (4) speeds pre-wired. Use of the fifth speed will require changing the appropriate wires at the motor connection. Consult the wiring diagram for more information.

- * Factory Set Cool
- ** Factory Set Heat
- *** Factory Set Circulation

BLOWER PERFORMANCE MGC2SA Continued

MGC2SA-126C-T45D1 (WITH 5-SPEED ECM MOTOR)

HEATING AIRFLOW (CFM) & TEMPERATURE RISE (°F)												
MODEL NAME/ HEATING INPUT	RETURN AIR VIA:	MOTOR SPEED	External Static Pressure (in. w.c.)									
			0.1		0.2		0.3		0.4		0.5	
			CFM	RISE	CFM	RISE	CFM	RISE	CFM	RISE	CFM	RISE
MGC2SA-126C- T45D1 122,000 BTU/Hr	Bottom or Side	5 - High*										
		4 - Medium High**	2,005	45	1,955	46	1,905	47	1,855	49	1,810	50
		3 - Med-Low	1,815	50	1,760	51	1,685	54	1,635	55	1,610	56
		2 - Alternate	1,630	55	1,570	58	1,500	60	1,445	63	1,400	65
		1 - Low***										
	2 Openings	5 - High*										
		4 - Medium High**	2,030	45	1,975	46	1,930	47	1,875	48	1,830	49
		3 - Med-Low	1,815	50	1,765	51	1,715	53	1,665	54	1,605	56
		2 - Alternate	1,635	55	1,575	57	1,515	60	1,465	62	1,415	64
		1 - Low***										

COOLING AIRFLOW (CFM)										
MODEL NAME/ HEATING INPUT	RETURN AIR VIA:	MOTOR SPEED	External Static Pressure (in. w.c.)							
			0.1	0.2	0.3	0.4	0.5	0.6	0.7	0.8
			CFM	CFM	CFM	CFM	CFM	CFM	CFM	CFM
MGC2SA-126C- T45D1 122,000 BTU/Hr	Bottom or Side	5 - High*	2,310	2,255	2,205	2,155	2,125	2,080	2,045	2,020
		4 - Medium High**	2,005	1,955	1,905	1,855	1,810	1,770	1,720	1,670
		3 - Med-Low	1,815	1,760	1,685	1,635	1,610	1,555	1,500	1,450
		2 - Alternate	1,630	1,570	1,500	1,445	1,400	1,345	1,305	1,240
		1 - Low***	1,065	960	875	795	705	600	540	465
	2 Openings	5 - High*	2,340	2,290	2,240	2,185	2,140	2,085	2,040	2,015
		4 - Medium High**	2,030	1,975	1,930	1,875	1,830	1,790	1,750	1,710
		3 - Med-Low	1,815	1,765	1,715	1,665	1,605	1,575	1,520	1,475
		2 - Alternate	1,635	1,575	1,515	1,465	1,415	1,365	1,315	1,275
		1 - Low***	1,060	960	880	795	705	615	560	475

***NOTES:**

- To comply with government mandated efficiency standards, two openings are required for airflows above 1,600 CFM.
- Data is shown without filter.
- Temperature rises in the table are approximate. Actual temperature rises may vary.
- Individual cells shaded in gray indicate a temperature rise outside of the recommended range.
- To comply with government mandated efficiency standards, speed settings shaded in gray are not allowed in HEAT mode.
- Unit ships with (4) speeds pre-wired. Use of the fifth speed will require changing the appropriate wires at the motor connection. Consult the wiring diagram for more information.

* Factory Set Cool

** Factory Set Heat

*** Factory Set Circulation

BLOWER PERFORMANCE MGC2SK

MGC2SK-054C-T23A1 (WITH 5-SPEED ECM MOTOR)

HEATING AIRFLOW (CFM) & TEMPERATURE RISE (°F)											
MODEL NAME/ HEATING INPUT	MOTOR SPEED	External Static Pressure (in. w.c.)									
		0.1		0.2		0.3		0.4		0.5	
		CFM	RISE	CFM	RISE	CFM	RISE	CFM	RISE	CFM	RISE
MGC2SK-054C-T23A1 52,000 BTU/Hr	5 - High*										
	4 - Medium High										
	3 - Alternate										
	2 - Med-Low**	910	42	880	44	855	45	820	47	775	50
	1 - Low***	855	45	825	47	795	48	760	51	725	53

COOLING AIRFLOW (CFM)										
MODEL NAME/ HEATING INPUT	MOTOR SPEED	External Static Pressure (in. w.c.)								
		0.1	0.2	0.3	0.4	0.5	0.6	0.7	0.8	
		CFM	CFM	CFM	CFM	CFM	CFM	CFM	CFM	
MGC2SK-054C-T23A1 52,000 BTU/Hr	5 - High*	1,305	1,275	1,245	1,215	1,190	1,160	1,130	1,100	
	4 - Medium High	1,180	1,150	1,120	1,090	1,060	1,025	1,000	970	
	3 - Alternate	1,045	1,015	980	950	920	890	855	815	
	2 - Med-Low**	910	880	855	820	775	740	700	660	
	1 - Low***	855	825	795	760	725	685	640	605	

***NOTES:**

1. To comply with government mandated efficiency standards, two openings are required for airflows above 1,600 CFM.
2. Data is shown without filter.
3. Temperature rises in the table are approximate. Actual temperature rises may vary.
4. Individual cells shaded in gray indicate a temperature rise outside of the recommended range.
5. To comply with government mandated efficiency standards, speed settings shaded in gray are not allowed in HEAT mode.
6. Unit ships with (4) speeds pre-wired. Use of the fifth speed will require changing the appropriate wires at the motor connection. Consult the wiring diagram for more information.

* Factory Set Cool

** Factory Set Heat

*** Factory Set Circulation

BLOWER PERFORMANCE MGC2SK Continued

MGC2SK-072C-T24B1 (WITH 5-SPEED ECM MOTOR)

HEATING AIRFLOW (CFM) & TEMPERATURE RISE (°F)											
MODEL NAME/ HEATING INPUT	MOTOR SPEED	External Static Pressure (in. w.c.)									
		0.1		0.2		0.3		0.4		0.5	
		CFM	RISE	CFM	RISE	CFM	RISE	CFM	RISE	CFM	RISE
MGC2SK-072C-T24B1 75,000 BTU/Hr	5 - High*										
	4 - Alternate										
	3 - Medium High										
	2 - Med-Low**	1,215	46	1,175	47	1,120	50	1,080	51	1,035	54
	1 - Low***										

COOLING AIRFLOW (CFM)										
MODEL NAME/ HEATING INPUT	MOTOR SPEED	External Static Pressure (in. w.c.)								
		0.1	0.2	0.3	0.4	0.5	0.6	0.7	0.8	
		CFM	CFM	CFM	CFM	CFM	CFM	CFM	CFM	
MGC2SK-072C-T24B1 75,000 BTU/Hr	5 - High*	1,780	1,740	1,700	1,665	1,620	1,580	1,540	1,500	
	4 - Alternate	1,620	1,570	1,530	1,490	1,460	1,410	1,375	1,330	
	3 - Medium High	1,340	1,295	1,260	1,220	1,175	1,130	1,085	1,055	
	2 - Med-Low**	1,215	1,175	1,120	1,080	1,035	990	950	905	
	1 - Low***	965	905	850	805	775	725	680	630	

***NOTES:**

1. To comply with government mandated efficiency standards, two openings are required for airflows above 1,600 CFM.
2. Data is shown without filter.
3. Temperature rises in the table are approximate. Actual temperature rises may vary.
4. Individual cells shaded in gray indicate a temperature rise outside of the recommended range.
5. To comply with government mandated efficiency standards, speed settings shaded in gray are not allowed in HEAT mode.
6. Unit ships with (4) speeds pre-wired. Use of the fifth speed will require changing the appropriate wires at the motor connection. Consult the wiring diagram for more information.

* Factory Set Cool

** Factory Set Heat

*** Factory Set Circulation

BLOWER PERFORMANCE MGC2SK

MGC2SK-090C-T24B1 (WITH 5-SPEED ECM MOTOR)

HEATING AIRFLOW (CFM) & TEMPERATURE RISE (°F)											
MODEL NAME/ HEATING INPUT	MOTOR SPEED	External Static Pressure (in. w.c.)									
		0.1		0.2		0.3		0.4		0.5	
		CFM	RISE	CFM	RISE	CFM	RISE	CFM	RISE	CFM	RISE
MGC2SK-090C-T24B1 90,000 BTU/Hr	5 - High*										
	4 - Medium High**	1,340	50	1,295	51	1,260	53	1,220	55	1,175	57
	3 - Med-Low	1,215	55	1,175	57	1,120	60	1,080	62		
	2 - Alternate										
	1 - Low***										

COOLING AIRFLOW (CFM)									
MODEL NAME/ HEATING INPUT	MOTOR SPEED	External Static Pressure (in. w.c.)							
		0.1	0.2	0.3	0.4	0.5	0.6	0.7	0.8
		CFM	CFM	CFM	CFM	CFM	CFM	CFM	CFM
MGC2SK-090C-T24B1 90,000 BTU/Hr	5 - High*	1,620	1,570	1,530	1,490	1,460	1,410	1,375	1,330
	4 - Medium High**	1,340	1,295	1,260	1,220	1,175	1,130	1,085	1,055
	3 - Med-Low	1,215	1,175	1,120	1,080	1,035	990	950	905
	2 - Alternate	1,120	1,075	1,005	965	925	875	840	785
	1 - Low***	805	730	690	640	625	570	520	470

***NOTES:**

1. To comply with government mandated efficiency standards, two openings are required for airflows above 1,600 CFM.
2. Data is shown without filter.
3. Temperature rises in the table are approximate. Actual temperature rises may vary.
4. Individual cells shaded in gray indicate a temperature rise outside of the recommended range.
5. To comply with government mandated efficiency standards, speed settings shaded in gray are not allowed in HEAT mode.
6. Unit ships with (4) speeds pre-wired. Use of the fifth speed will require changing the appropriate wires at the motor connection. Consult the wiring diagram for more information.

- * Factory Set Cool
- ** Factory Set Heat
- *** Factory Set Circulation

BLOWER PERFORMANCE MGC2SK Continued

MGC2SK-108C-T35C1 (WITH 5-SPEED ECM MOTOR)

HEATING AIRFLOW (CFM) & TEMPERATURE RISE (°F)											
MODEL NAME/ HEATING INPUT	MOTOR SPEED	External Static Pressure (in. w.c.)									
		0.1		0.2		0.3		0.4		0.5	
		CFM	RISE	CFM	RISE	CFM	RISE	CFM	RISE	CFM	RISE
MGC2SK-108C-T35C1 108,000 BTU/Hr	5 - High*										
	4 - Medium High**	1,780	45	1,740	46	1,695	47	1,650	48	1,605	50
	3 - Med-Low	1,580	51	1,530	52	1,485	54	1,435	56	1,385	58
	2 - Alternate	1,405	57	1,350	59	1,305	61	1,255	64		
	1 - Low***										

COOLING AIRFLOW (CFM)										
MODEL NAME/ HEATING INPUT	MOTOR SPEED	External Static Pressure (in. w.c.)								
		0.1	0.2	0.3	0.4	0.5	0.6	0.7	0.8	
		CFM	CFM	CFM	CFM	CFM	CFM	CFM	CFM	
MGC2SK-108C-T35C1 108,000 BTU/Hr	5 - High*	2,145	2,105	2,065	2,025	1,980	1,940	1,900	1,855	
	4 - Medium High**	1,780	1,740	1,695	1,650	1,605	1,560	1,515	1,475	
	3 - Med-Low	1,580	1,530	1,485	1,435	1,385	1,340	1,290	1,245	
	2 - Alternate	1,405	1,350	1,305	1,255	1,200	1,150	1,100	1,045	
	1 - Low***	1,160	1,095	1,035	970	905	845	780	715	

***NOTES:**

1. To comply with government mandated efficiency standards, two openings are required for airflows above 1,600 CFM.
2. Data is shown without filter.
3. Temperature rises in the table are approximate. Actual temperature rises may vary.
4. Individual cells shaded in gray indicate a temperature rise outside of the recommended range.
5. To comply with government mandated efficiency standards, speed settings shaded in gray are not allowed in HEAT mode.
6. Unit ships with (4) speeds pre-wired. Use of the fifth speed will require changing the appropriate wires at the motor connection. Consult the wiring diagram for more information.

* Factory Set Cool

** Factory Set Heat

*** Factory Set Circulation

BLOWER PERFORMANCE MGC2SK

MGC2SK-126C-T45D1 (WITH 5-SPEED ECM MOTOR)

HEATING AIRFLOW (CFM) & TEMPERATURE RISE (°F)											
MODEL NAME/ HEATING INPUT	MOTOR SPEED	External Static Pressure (in. w.c.)									
		0.1		0.2		0.3		0.4		0.5	
		CFM	RISE	CFM	RISE	CFM	RISE	CFM	RISE	CFM	RISE
MGC2SK-126C-T45D1 120,000 BTU/Hr	5 - High*										
	4 - Alternate	1,950	46	1,900	47	1,850	48	1,800	49	1,750	51
	3 - Medium High**	1,790	50	1,735	51	1,685	53	1,630	55	1,580	56
	2 - Med-Low	1,610	55	1,555	57	1,495	59	1,440	62	1,385	64
	1 - Low***										

COOLING AIRFLOW (CFM)										
MODEL NAME/ HEATING INPUT	MOTOR SPEED	External Static Pressure (in. w.c.)								
		0.1	0.2	0.3	0.4	0.5	0.6	0.7	0.8	
		CFM	CFM	CFM	CFM	CFM	CFM	CFM	CFM	
MGC2SK-126C-T45D1 120,000 BTU/Hr	5 - High*	2,195	2,145	2,095	2,050	2,000	1,955	1,905	1,860	
	4 - Alternate	1,950	1,900	1,850	1,800	1,750	1,700	1,650	1,605	
	3 - Medium High**	1,790	1,735	1,685	1,630	1,580	1,530	1,475	1,425	
	2 - Med-Low	1,610	1,555	1,495	1,440	1,385	1,325	1,270	1,210	
	1 - Low***	1,100	1,015	935	855	775	695	610	530	

***NOTES:**

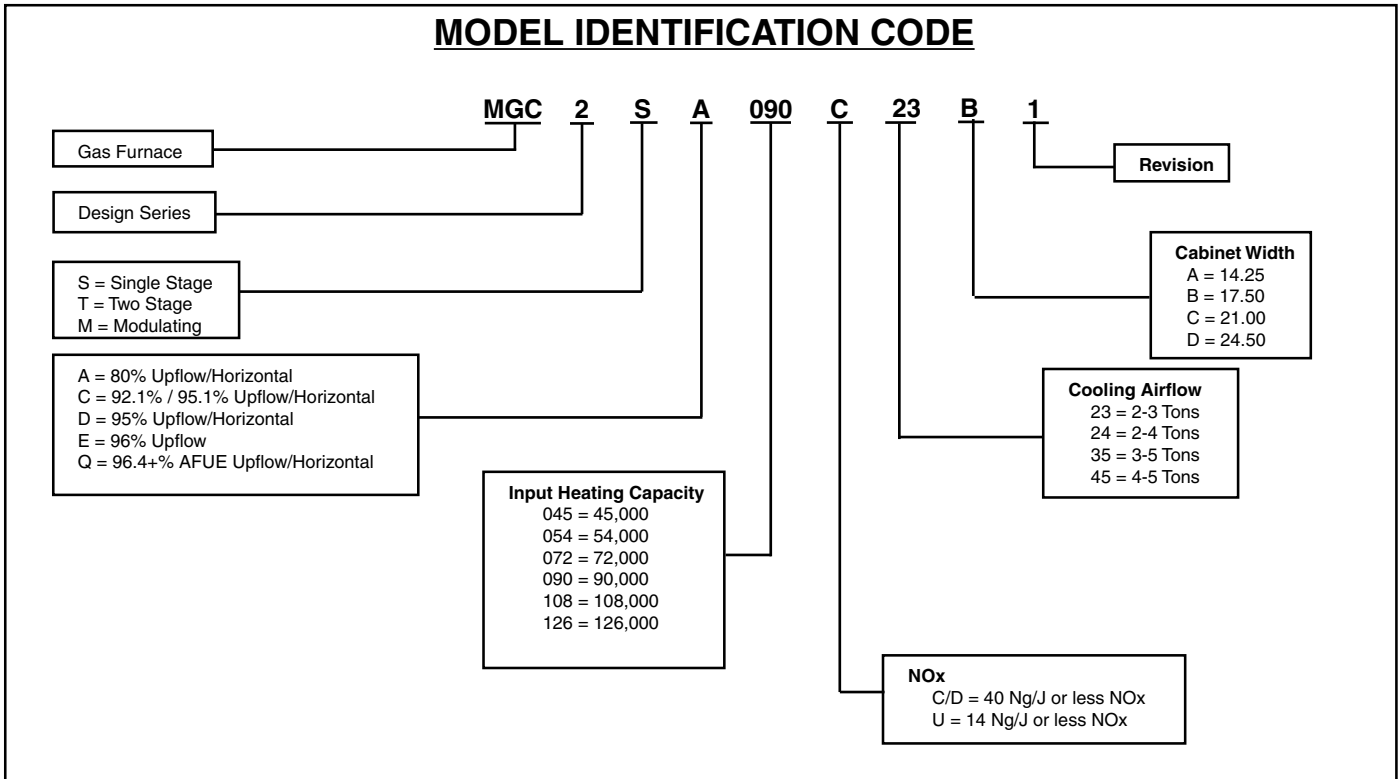
1. To comply with government mandated efficiency standards, two openings are required for airflows above 1,600 CFM.
2. Data is shown without filter.
3. Temperature rises in the table are approximate. Actual temperature rises may vary.
4. Individual cells shaded in gray indicate a temperature rise outside of the recommended range.
5. To comply with government mandated efficiency standards, speed settings shaded in gray are not allowed in HEAT mode.
6. Unit ships with (4) speeds pre-wired. Use of the fifth speed will require changing the appropriate wires at the motor connection. Consult the wiring diagram for more information.

* Factory Set Cool

** Factory Set Heat

*** Factory Set Circulation

IDENTIFICATION CODE



SPECIFICATIONS

MGC2SA MODEL NUMBERS	-045-T23A1	-054-T23A1	-072-T24B1	-072-T35C1	-090-T24B1
Input - Btuh (a)	45000	52000	70000	70000	90000
Heating Capacity - BtuH	36000	42000	56000	56000	72000
AFUE	80.0	80.0	80.0	80.0	80.0
Motor H.P. - Speed - Type	1/2 - 5 - ECM	1/2 - 5 - ECM	3/4 - 5 - ECM	1 - 5 - ECM	3/4 - 5 - ECM
Motor FLA	6.4	6.4	8.8	11.5	8.8
Rated Ext. SP - In. W.C.	0.5	0.5	0.5	0.5	0.5
Temperature Rise Range - F	30-60	30-60	35-65	35-65	35-65
Shipping Weights	95 lb	95 lb	110 lb	115 lb	115 lb
SKU	1025482L	1025483L	1025481L	1025485L	1025484L

MGC2SK MODEL NUMBERS	-072-T24B1	-090-T24B1
Input - Btuh (a)	72000	90000
Heating Capacity - BtuH	58000	72000
AFUE	80.0	80.0
Motor H.P. - Speed - Type	3/4 - 5 - ECM	3/4 - 5 - ECM
Motor FLA	8.8	8.8
Rated Ext. SP - In. W.C.	0.5	0.5
Temperature Rise Range - F	35-65	35-65
Shipping Weights	110 lb	115 lb
SKU	1025490L	1025491L

ACCESSORIES

MGC2S(A,K) KITS	
Description	SKU
"A" Cabinet variable speed, high efficiency, VSHE	904876
"B" Cabinet variable speed, high efficiency, VSHE	904877
"C" Cabinet variable speed, high efficiency, VSHE	904878
"D" Cabinet variable speed, high efficiency, VSHE	904879
"A" Cabinet downflow sub base kit	902974
"B", "C", "D" Cabinet downflow sub base kit	904911
U.S. LP Conversion kit (0 to 10,000 ft.)	904914
Canada LP Conversion kit (0 to 4,500 ft.)	904915
Bottom return filter 20 per box, "A" cabinet	903088
Bottom return filter 20 per box, "B" cabinet	904916
Bottom return filter 20 per box, "C" cabinet	904917
Bottom return filter 20 per box, "D" cabinet	904918
Side return filter kit	541036
Furnace Twinning Kit	1010035



MAYTAG®

Before purchasing this appliance, read important energy cost and efficiency information available from your retailer. Specifications and illustrations subject to change without notice and without incurring obligations.

Manufactured under license by Nortek Global HVAC, LLC, O'Fallon, MO. ®Registered Trademark/™ Trademark of Maytag Corporation or its related companies. © Nortek Global HVAC, LLC 2020. All rights reserved.

486F-0520