

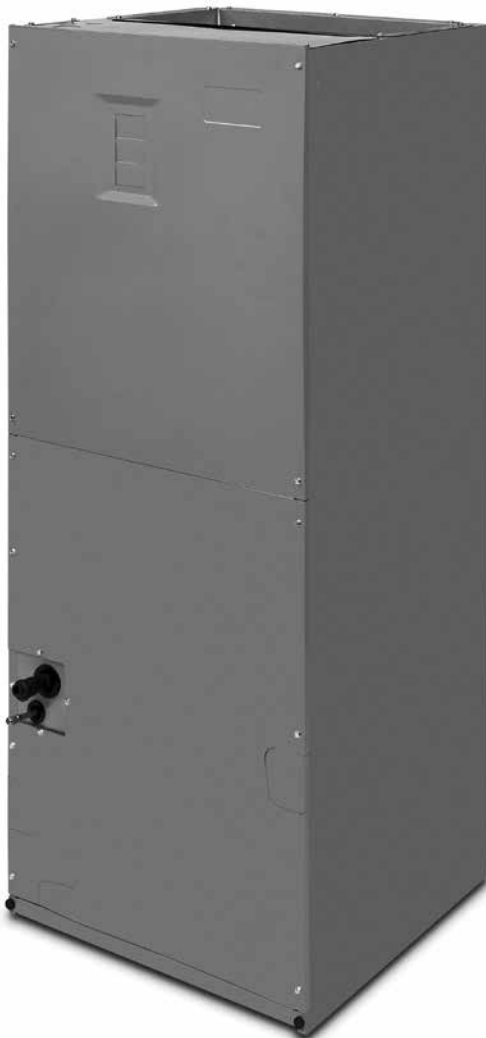
TECHNICAL SPECIFICATIONS

B6BMM0 Series

Air Handler

18,000 - 60,000 Btuh (Heat Pump & Air Conditioner)

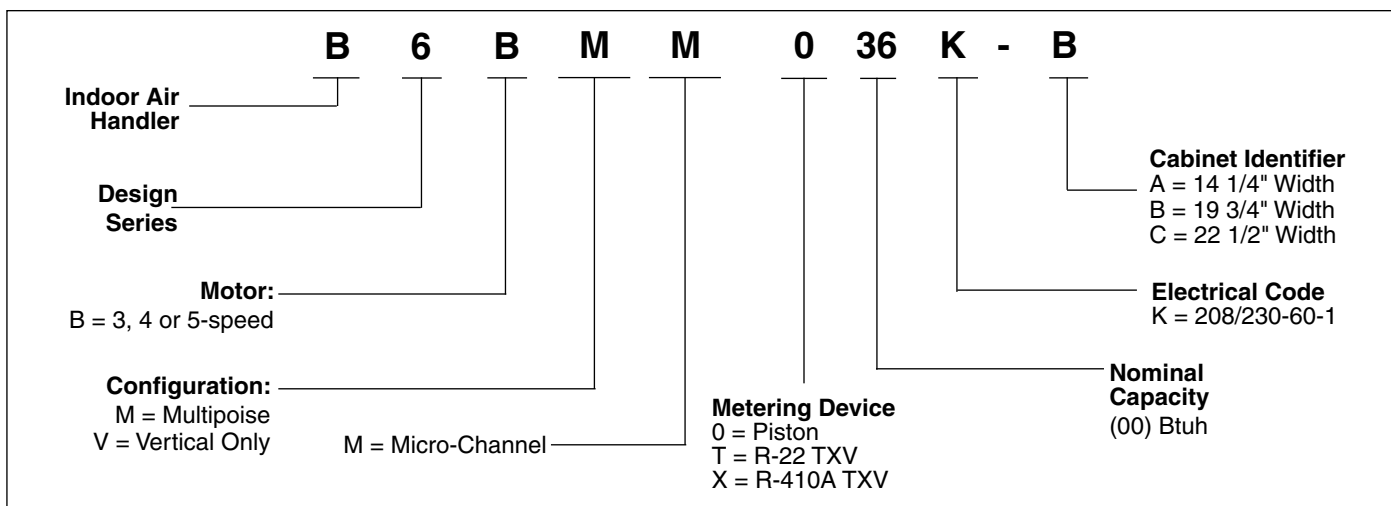
The B6BMM0 Series of air handlers, when combined with our heat pump or air conditioner, offer a full line of quality, split system heating and cooling equipment.



FEATURES and BENEFITS

- **Durable, Attractive Cabinet:** Galvanized steel with a polyester urethane finish. The 950 hour salt spray finish resists corrosion 50% better than comparable units. The plastic drain pan is corrosion-resistant.
- **Multi-poised:** Can be used in horizontal, upflow, downflow and vertical applications.
- **Multi-speed:** Gives flexibility of installation.
- **Ease-of-Service:** Plug-in wire connections and built-in filter rack makes the air handler easy to service.
- **Plug-in Heater Kits:** Available in 5kw - 30kw (Not for use in 115 Volt units)
- **Circuit Board:** Incorporating blower time delay relay, low voltage terminal strip, and heat-strip sequencing.
- **Air Handler Control Board:** Controls time-sequencing of heat stages with field-selectable sequence timing.
- **Breaker Accessibility:** Breaker accessible from front of unit when heater is applied.
- **No Fasteners on Sides or Back:** Smooth surfaces for ease of installation.
- **Aluminum Evaporator Coil:** All aluminum design to prevent leaks caused by corrosion formicary.
- **Cabinet Insulation:** 1" insulation with an R-value of 4.2 contributes to quiet operation and prevents cabinet sweating in difficult applications.

MODEL IDENTIFICATION CODE



ELECTRICAL DATA

Cabinet	Capacity	Model Number H8HK-	Voltage 240								Voltage 208									
			Min. Circuit Amp.				Maximum Over-current Rating				Min. Circuit Amp.				Maximum Over-current Rating					
			Circuit A	Circuit B	Circuit C	Single Circuit	Circuit A	Circuit B	Circuit C	Single Circuit	Circuit A	Circuit B	Circuit C	Single Circuit	Circuit A	Circuit B	Circuit C	Single Circuit		
A	24	NONE	1.6	-	-	1.6	15.0	-	-	15.0	1.6	-	-	1.6	15.0	-	-	15.0		
		005H-XX	26.6	-	-	26.6	30.0	-	-	30.0	23.3	-	-	23.3	25.0	-	-	25.0		
		008H-XX	41.2	-	-	41.2	45.0	-	-	45.0	35.9	-	-	35.9	40.0	-	-	40.0		
		010H-XX	51.6	-	-	51.6	60.0	-	-	60.0	45.0	-	-	45.0	45.0	-	-	45.0		
		009Q-XX	-	-	-	28.7	-	-	-	-	-	-	-	25.1	-	-	-	30.0		
B	24	NONE	1.6	-	-	1.6	15.0	-	-	15.0	1.6	-	-	1.6	15.0	-	-	15.0		
		005H-XX	26.6	-	-	26.6	30.0	-	-	30.0	23.3	-	0.0	23.3	25.0	-	-	25.0		
		008H-XX	41.2	-	-	41.2	45.0	-	-	45.0	35.9	-	-	35.9	40.0	-	-	40.0		
		010H-XX	51.6	-	-	51.6	60.0	-	-	60.0	45.0	-	-	45.0	45.0	-	-	45.0		
		009Q-XX	-	-	-	28.7	-	-	-	-	-	-	-	25.1	-	-	-	30.0		
A	30	NONE	3.1	-	-	3.1	15.0	-	-	15.0	3.1	-	-	3.1	15.0	-	-	15.0		
		005H-XX	28.1	-	-	28.1	30.0	-	-	30.0	24.8	-	-	24.8	25.0	-	-	25.0		
		008H-XX	42.7	-	-	42.7	45.0	-	-	45.0	37.4	-	-	37.4	40.0	-	-	40.0		
		010H-XX	53.1	-	-	53.1	60.0	-	-	60.0	46.5	-	-	46.5	50.0	-	-	50.0		
		015H-XX	50.0	28.1	-	78.1	60.0	30.0	-	80.0	43.3	24.8	-	68.1	45.0	25.0	-	70.0		
		009Q-XX	-	-	-	30.2	-	-	-	-	-	-	-	26.6	-	-	-	30.0		
		015Q-XX	-	-	-	46.4	-	-	-	-	-	-	-	40.6	-	-	-	45.0		
B	30/36	NONE	2.6	-	-	2.6	15.0	-	-	15.0	2.6	-	-	2.6	15.0	-	-	15.0		
		005H-XX	27.6	-	-	27.6	30.0	-	-	30.0	24.3	-	-	24.3	25.0	-	-	25.0		
		008H-XX	42.2	-	-	42.2	45.0	-	-	45.0	36.9	-	-	36.9	40.0	-	-	40.0		
		010H-XX	52.6	-	-	52.6	60.0	-	-	60.0	46.0	-	-	46.0	50.0	-	-	50.0		
		015H-XX	50.0	27.6	-	77.6	60.0	30.0	-	80.0	43.3	24.3	-	67.6	45.0	25.0	-	70.0		
		020H-XX	52.6	50.0	-	102.6	60.0	60.0	-	110.0	46.0	43.3	-	89.3	50.0	45.0	-	90.0		
		009Q-XX	-	-	-	29.7	-	-	-	-	-	-	-	26.1	-	-	-	30.0		
		015Q-XX	-	-	-	45.9	-	-	-	-	-	-	-	40.2	-	-	-	45.0		
		B	42/48	NONE	3.1	-	-	3.1	15.0	-	-	15.0	3.1	-	-	3.1	15.0	-	-	15.0
005H-XX	28.1			-	-	28.1	30.0	-	-	30.0	24.8	-	-	24.8	25.0	-	-	25.0		
008H-XX	42.7			-	-	42.7	45.0	-	-	45.0	37.4	-	-	37.4	40.0	-	-	40.0		
010H-XX	53.1			-	-	53.1	60.0	-	-	60.0	46.5	-	-	46.5	50.0	-	-	50.0		
015H-XX	50.0			28.1	-	78.1	60.0	30.0	-	80.0	43.3	24.8	-	68.1	45.0	25.0	-	70.0		
020H-XX	53.1			50.0	-	103.1	60.0	60.0	-	110.0	46.5	43.3	-	89.8	50.0	45.0	-	90.0		
009Q-XX	-			-	-	30.2	-	-	-	-	-	-	-	26.6	-	-	-	30.0		
015Q-XX	-			-	-	46.4	-	-	-	50	-	-	-	40.7	-	-	-	45.0		
C	48			NONE	5.4	-	-	5.4	15.0	-	-	15.0	5.4	-	-	5.4	15.0	-	-	15.0
		005H-XX	30.4	-	-	30.4	30.0	-	-	35.0	27.0	-	-	27.0	30.0	-	-	30.0		
		008H-XX	45.0	-	-	45.0	45.0	-	-	45.0	39.7	-	-	39.7	40.0	-	-	40.0		
		010H-XX	55.4	-	-	55.4	60.0	-	-	60.0	48.7	-	-	48.7	50.0	-	-	50.0		
		015H-XX	50.0	30.4	-	80.4	60.0	35.0	-	90.0	43.3	27.0	-	70.4	45.0	30.0	-	80.0		
		020H-XX	55.4	50.0	-	105.4	60.0	60.0	-	110.0	48.7	43.3	-	92.0	50.0	45.0	-	100.0		
		024H-XX	50.0	50.0	30.4	130.4	60.0	60.0	35.0	150.0	43.3	43.3	21.7	113.7	45.0	45.0	30.0	125.0		
		029H-XX	55.4	50.0	50.0	155.4	60.0	60.0	60.0	175.0	48.7	43.3	43.3	135.4	50.0	45.0	45.0	150.0		
		009Q-XX	-	-	-	32.4	-	-	-	35.0	-	-	-	28.8	-	-	-	30.0		
		015Q-XX	-	-	-	48.7	-	-	-	50.0	-	-	-	42.9	-	-	-	45.0		
		C	60	NONE	6.3	-	-	6.3	15.0	-	-	15.0	6.8	-	-	6.8	15.0	-	-	15.0
				005H-XX	31.3	-	-	31.3	30.0	-	-	35.0	28.4	-	-	28.4	30.0	-	-	30.0
008H-XX	45.8			-	-	45.8	50.0	-	-	50.0	41.1	-	-	41.1	45.0	-	-	45.0		
010H-XX	56.3			-	-	56.3	60.0	-	-	60.0	50.1	-	-	50.1	60.0	-	-	60.0		
015H-XX	50.0			31.3	-	81.3	60.0	35.0	-	90.0	43.3	28.4	-	71.8	45.0	30.0	-	80.0		
020H-XX	56.3			50.0	-	106.3	60.0	60.0	-	110.0	50.1	43.3	-	93.4	60.0	45.0	-	100.0		
024H-XX	50.0			50.0	31.1	131.3	60.0	60.0	35.0	150.0	43.3	43.3	28.4	115.1	45.0	45.0	30.0	125.0		
029H-XX	56.3			50.0	50.0	156.3	60.0	60.0	60.0	175.0	50.1	43.3	43.3	136.8	60.0	45.0	45.0	150.0		
009Q-XX	-			-	-	33.3	-	-	-	35.0	-	-	-	30.2	-	-	-	35.0		
015Q-XX	-			-	-	49.6	-	-	-	50.0	-	-	-	44.3	-	-	-	45.0		

ACCESSORIES

Accessory Kit Description	Cabinet Size			Order Number
	A	B	C	
Down-flow adaptor kit	X			917342
		X		919321
			X	919322
Single circuit adaptor for 2 circuit breakers	X	X	X	913874
Single circuit adaptor for 3 circuit breakers	n/a	n/a	X	913556
Baffle Drip Guard 3"		X		922125
Baffle Drip Guard 4"			X	922126

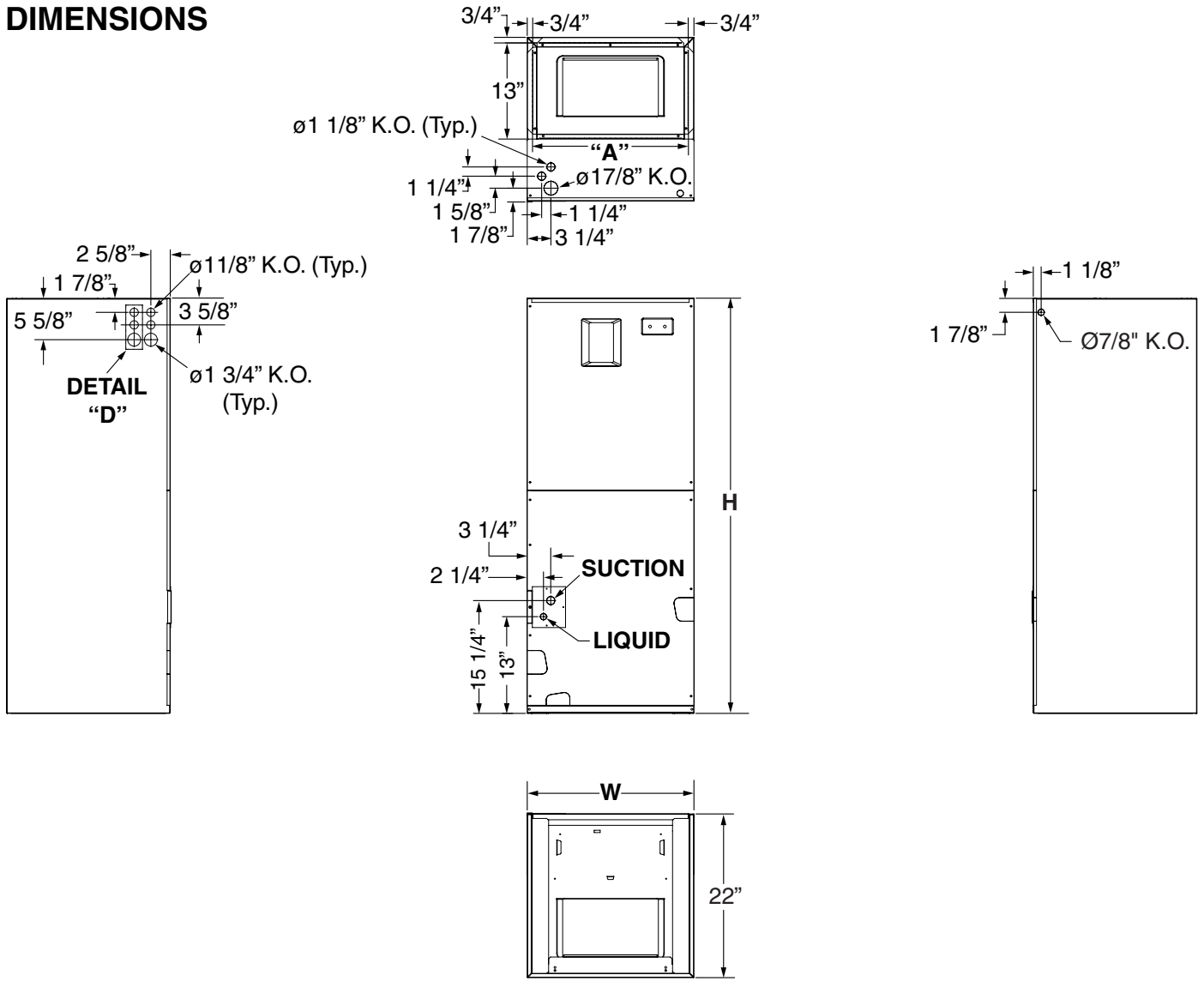
240V Single-Phase Heater Kit Application

Nominal KW	Matched Units								Order Number	
	*24K-A	*30/*36K-A	*24K-B	*30K-B	*36K-B	*42K-B	*48K-C	*60K-C	With Circuit Breakers	Without Circuit Breakers
5	X	X	X	X	X	X	X	X	922521	922520
8	X	X	X	X	X	X	X	X	922523	922522
10	X	X	X	X	X	X	X	X	922526	922525
15	n/a	X	n/a	X	X	X	X	X	922527	n/a
20	n/a	n/a	n/a	X	X	X	X	X	922529	n/a
25	n/a	n/a	n/a	n/a	n/a	n/a	X	X	922530	n/a
30	n/a	n/a	n/a	n/a	n/a	n/a	X	X	922532	n/a

240V Three-Phase Heater Kit Application

Nominal KW	Matched Units								Order Number	
	*24K-A	*30/*36K-A	*24K-B	*30K-B	*36K-B	*42K-B	*48K-C	*60K-C	With Circuit Breakers	Without Circuit Breakers
9	X	X	X	X	X	X	X	X	922524	n/a
15	n/a	X	n/a	X	X	X	X	X	922528	n/a

DIMENSIONS



SPECIFICATIONS / DIMENSIONS

Model Number B6BMM0-	*24K-A	*30K-A	*24K-B	*30K-B	*36K-B	*42K-B	*48K-B	*48K-C	*60K-C
Nominal cooling capacity - BTUh ¹	24000	30000	24000	30000	36000	42000	48000	48000	60000
Maximum Available Auxiliary Heat	10	15	10	20	20	20	20	30	30
Motor Hp-speeds	1/5-3	1/3-3	1/5-3	1/3-3	1/3-3	1/3-3	1/3-3	1/2-3	3/4-5
Filter Size (supplied internal filter rack) ²	12x20x1	12x20x1	18x20x1	18x20x1	18x20x1	18x20x1	18x20x1	20x20x1	20x20x1
Approximate Shipping Weight, lbs	80	82	98	101	101	119	119	137	142
Height, "H", in.	43-5/16	43-5/16	43-5/16	43-5/16	43-5/16	49-5/16	49-5/16	55-15/16	55-15/16
Width, "W", in.	14-3/16	14-3/16	19-11/16	19-11/16	19-11/16	19-11/16	19-11/16	22-7/16	22-7/16
Supply Air Outlet Dimension, in.	12-7/8 x 12-3/4	12-7/8 x 12-3/4	12-7/8 x 18-1/4	12-7/8 x 18-1/4	12-7/8 x 18-1/4	12-7/8 x 18-1/4	12-7/8 x 18-1/4	12-7/8 x 21	12-7/8 x 21
Ref. Connection Sizes, in. (suc./liq.)	3/4 - 3/8	3/4 - 3/8	3/4 - 3/8	3/4 - 3/8	3/4 - 3/8	7/8 - 3/8	7/8 - 3/8	7/8 - 3/8	7/8 - 3/8

¹ See current AHRI Directory for certified combinations and ratings.

² Filter is not supplied with unit.

BLOWER PERFORMANCE DATA

		Dry Coil ESP	0.10	0.20	0.30	0.40	0.50	0.60	0.70	0.80
*24K, A-Cabinet	Low	683	647	607	563	515	463	406	345	
	Corrected ESP ¹	0.00	0.07	0.19	0.30	0.42	0.53	0.65	0.76	
	Medium	861	823	781	734	682	625	564	498	
	Corrected ESP ¹	0.00	0.00	0.11	0.23	0.36	0.48	0.60	0.72	
	High	1072	1026	975	920	860	797	730	659	
	Corrected ESP ¹	0.00	0.00	0.00	0.14	0.27	0.40	0.53	0.67	
	Dry Coil ESP	0.10	0.20	0.30	0.40	0.50	0.60	0.70	0.80	
	*30K, A-Cabinet	Low	849	825	793	753	704	647	581	508
Corrected ESP ¹		0.00	0.04	0.15	0.27	0.38	0.50	0.62	0.74	
Medium		1118	1087	1046	997	940	874	799	717	
Corrected ESP ¹		0.00	0.00	0.04	0.17	0.29	0.42	0.55	0.68	
	High	1277	1233	1184	1130	1070	1005	935	860	
	Corrected ESP ¹	0.00	0.00	0.00	0.10	0.23	0.36	0.49	0.63	
	Dry Coil ESP	0.10	0.20	0.30	0.40	0.50	0.60	0.70	0.80	
	*24K, B-Cabinet	Low	708	690	664	628	584	532	471	401
Corrected ESP ¹			0.08	0.19	0.30	0.41	0.53	0.64	0.76	
Medium		909	904	886	854	810	753	683	600	
Corrected ESP ¹				0.10	0.22	0.33	0.46	0.58	0.71	
	High	1118	1132	1126	1101	1056	992	908	805	
	Corrected ESP ¹				0.09	0.22	0.35	0.49	0.64	
	Dry Coil ESP	0.10	0.20	0.30	0.40	0.50	0.60	0.70	0.80	
	30/36K, B-Cabinet	Low	953	915	871	821	764	701	631	555
Corrected ESP ¹		0.00	0.04	0.16	0.27	0.39	0.51	0.62	0.74	
Medium		1265	1232	1188	1133	1067	991	903	805	
Corrected ESP ¹		0.00	0.00	0.03	0.15	0.28	0.41	0.54	0.68	
	High	1427	1385	1333	1270	1196	1113	1018	913	
	Corrected ESP ¹	0.00	0.00	0.00	0.09	0.23	0.36	0.50	0.64	
	Dry Coil ESP	0.10	0.20	0.30	0.40	0.50	0.60	0.70	0.80	
	*42K, *48K B-Cabinet	Low	1324	1302	1271	1233	1187	1134	1072	1003
Corrected ESP ¹		0.00	0.06	0.17	0.27	0.38	0.49	0.61	0.72	
Medium		1485	1455	1418	1373	1320	1260	1193	1118	
Corrected ESP ¹		0.00	0.00	0.13	0.24	0.36	0.47	0.58	0.70	
	High	1637	1601	1558	1506	1447	1380	1305	1223	
	Corrected ESP ¹	0.00	0.00	0.00	0.21	0.33	0.44	0.56	0.68	
	Dry Coil ESP	0.10	0.20	0.30	0.40	0.50	0.60	0.70	0.80	
	*48K, C-Cabinet	Low	1605	1606	1592	1565	1524	1468	1399	1316
Corrected ESP ¹		0	0.11	0.21	0.31	0.42	0.52	0.63	0.74	
Medium		1977	1939	1890	1830	1758	1675	1580	1474	
Corrected ESP ¹		0	0	0.18	0.28	0.39	0.50	0.61	0.72	
	High	2264	2182	2095	2003	1906	1805	1698	1586	
	Corrected ESP ¹	0.00	0.00	0.00	0.26	0.37	0.49	0.60	0.71	

Notes:

- 1) Airflow is shown in cfm, +/- 5%.
- 2) External static pressure (ESP) is shown in inches w.c.
- 3) See unit nameplate or installation instructions for maximum recommended external static pressure.

¹ ESP estimate with wet coil and filter

	Switch Setting				Cooling or Heating Airflow (CFM)							
					Dry Coil ESP							
	1/5	2/6	3/7	4/8	0.1	0.2	0.3	0.4	0.5	0.6	0.7	0.8
*60K, C-Cabinet	0	0	0	0	710	580	395					
	1	0	0	0	830	690	675	530	505			
	0	1	0	0	930	875	710	665	560	530		
	1	1	0	0	1065	1015	900	840	800	705	665	635
	0	0	1	0	1185	1115	1010	960	925	875	830	745
	1	0	1	0	1275	1220	1175	1120	1060	970	930	890
	0	1	1	0	1365	1350	1255	1200	1150	1105	1060	1025
	1	1	1	0	1480	1430	1370	1325	1265	1225	1185	1140
	0	0	0	1	1560	1535	1485	1430	1375	1335	1285	1240
	1	0	0	1	1650	1600	1545	1500	1450	1405	1360	1305
	0	1	0	1	1730	1685	1660	1610	1570	1520	1470	1420
	1	1	0	1	1785	1740	1695	1645	1615	1545	1510	1470
	0	0	1	1	1865	1820	1785	1750	1695	1655	1605	1560
	1	0	1	1	1920	1890	1850	1805	1765	1715	1675	1640
	0	1	1	1	2010	1965	1960	1900	1850	1810	1775	1730
	1	1	1	1	2065	2020	1985	1955	1915	1880	1840	1810

NOTE: 0 = OFF, 1 = ON



GENERAL TERMS OF LIMITED WARRANTY

Nortek Global HVAC, LLC will furnish a replacement for any part of this product which fails in normal use and service within the first five years of installation, in accordance with the terms of the warranty.

For complete details of the Limited Warranty, including applicable terms and conditions, see your local installer or contact the Nortek Global HVAC, LLC warranty department for a copy.

Before purchasing this appliance, read important energy cost and efficiency information available from your retailer. Specifications and illustrations subject to change without notice and without incurring obligations. Printed in U.S.A (09/2021)